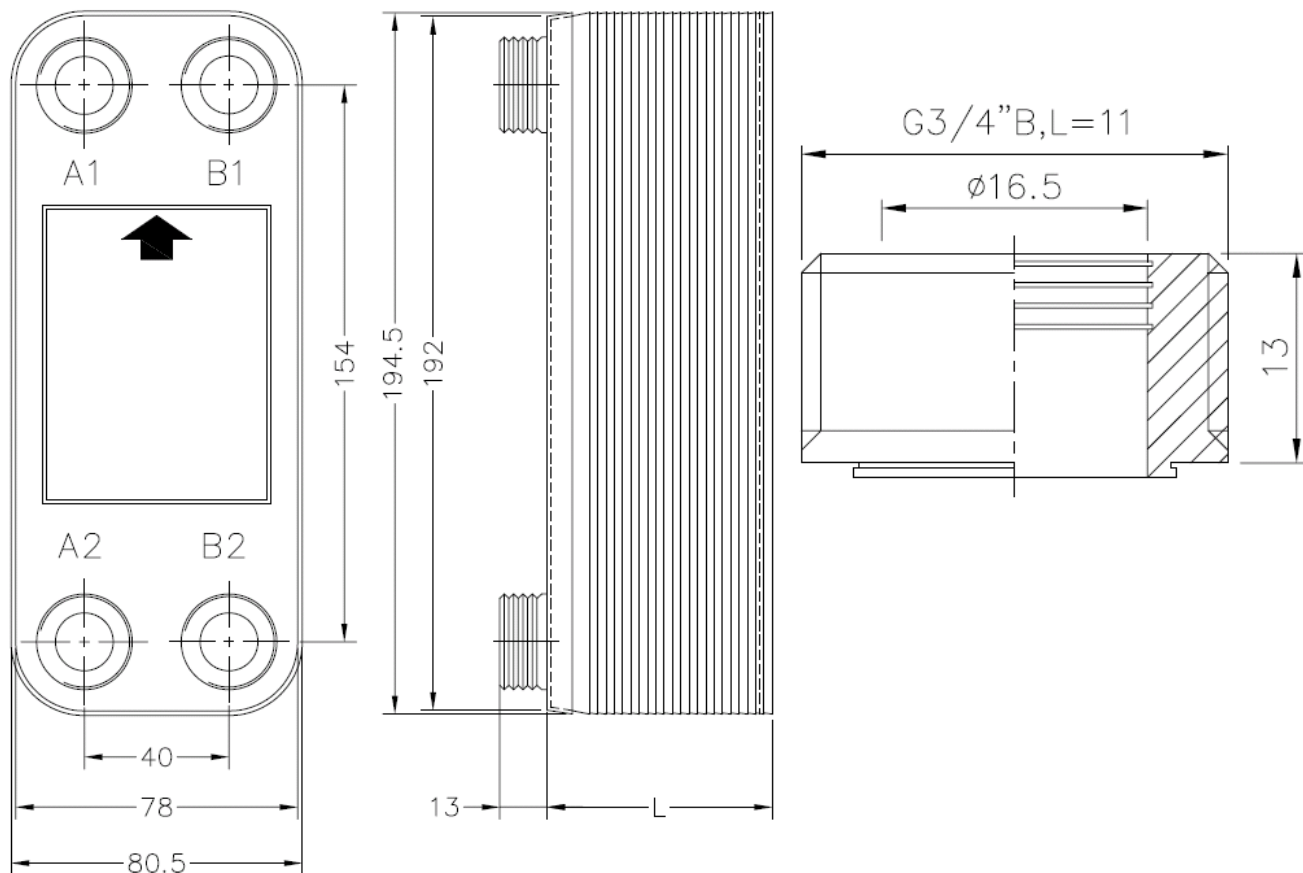




Wort chiller plate model

Material: stainless steel AISI 316, male thread 3/4"

	Workable surface	Dimensions (cm)	Power (with cooling water of 10°C)
12 plates	0.12 m ²	L19 x W8 x H3.5	8 kW
24 plates	0.26 m ²	L19 x W8 x H6	16 kW
36 platen	0.40 m ²	L19 x W8 x H9	24 kW



Brouwland

Korspelsesteenweg 86 • B-3581 Beverlo - Belgium
 Tel. +32-(0)11-40.14.08 • Fax. +32-(0)11-34.73.59
 sales@brouwland.com • www.brouwland.com