



## Ecology, bottle brusher on water pressure

### Technical data

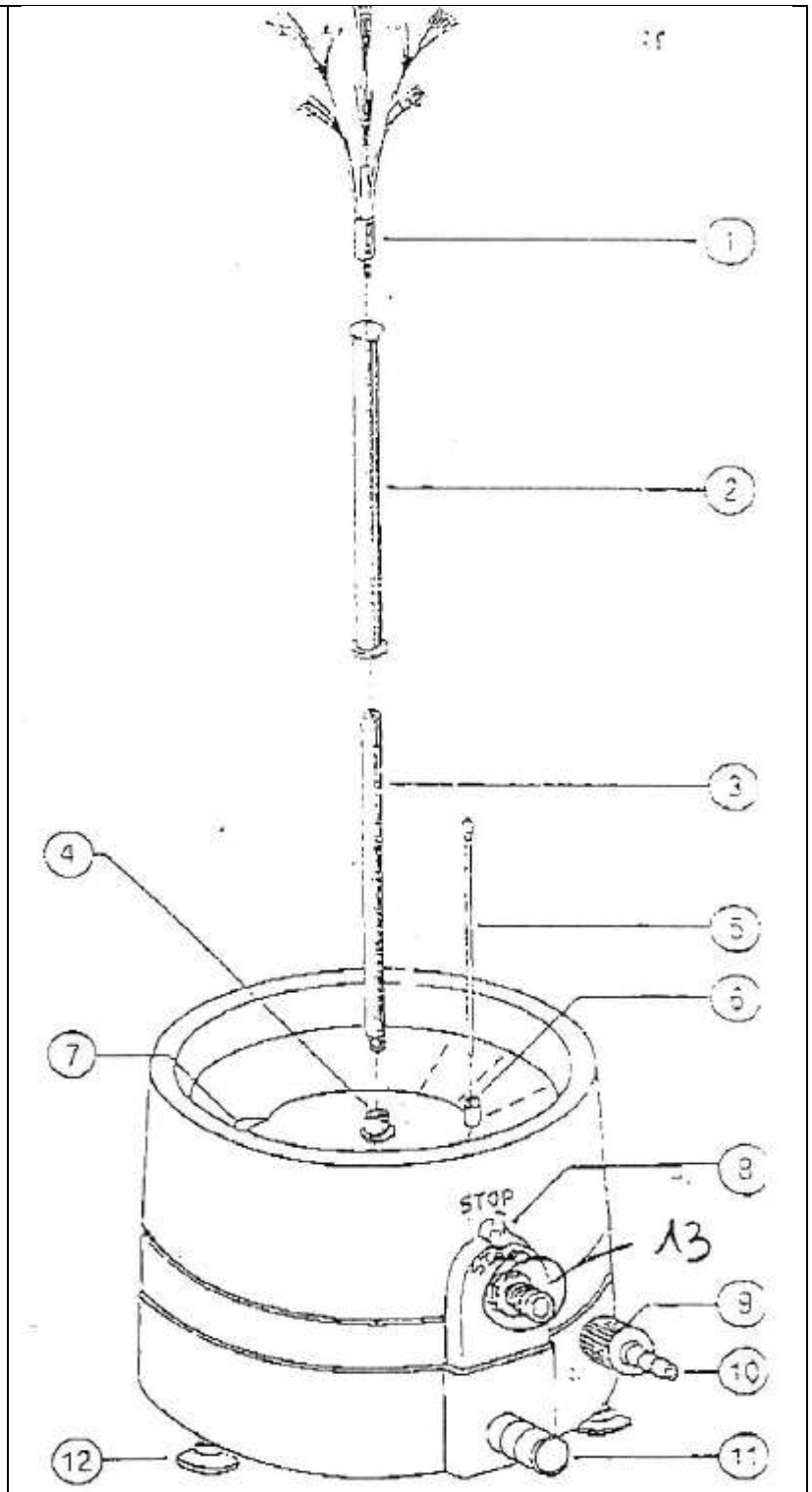
- 1) Brush
- 2) Brush-holding hose
- 3) Lower brush-holding shaft
- 4) Brush-holder check pin
- 5) Clamping rod
- 6) Turbine locking hole
- 7) Drain hole
- 8) Starting/cutoff lever
- 9) Water inlet bushing
- 10) Water inlet hose connection
- 11) Water outlet
- 12) Set of suction caps

Overall dimensions:  
 Height: 200 mm  
 Diameter: 250 mm

Minimum working pressure: 1,5 – 1,7 Atm

### Operating instructions

- a) Fit the rod (5) placed under the bottle-washing machine into the hole (6)
- b) Screw the shaft (3) into the hole (4) and fit the brush-holding hose (2). Screw the brush (1).
- c) Remove the rod (5) from the hole (6) and place it in the proper slot under the bottle-washing machine.
- d) Unscrew the bushing (9) and insert the hose connection (10). Screw onto the bottle-washing machine while keeping filter inserted. Connect to water network.
- e) Starting occurs by turning the lever (8) to the START position



### Brouwland

Korspelsesteenweg 86 • B-3581 Beverlo - Belgium  
 Tel. +32-(0)11-40.14.08 • Fax. +32-(0)11-34.73.59  
 sales@brouwland.com • www.brouwland.com